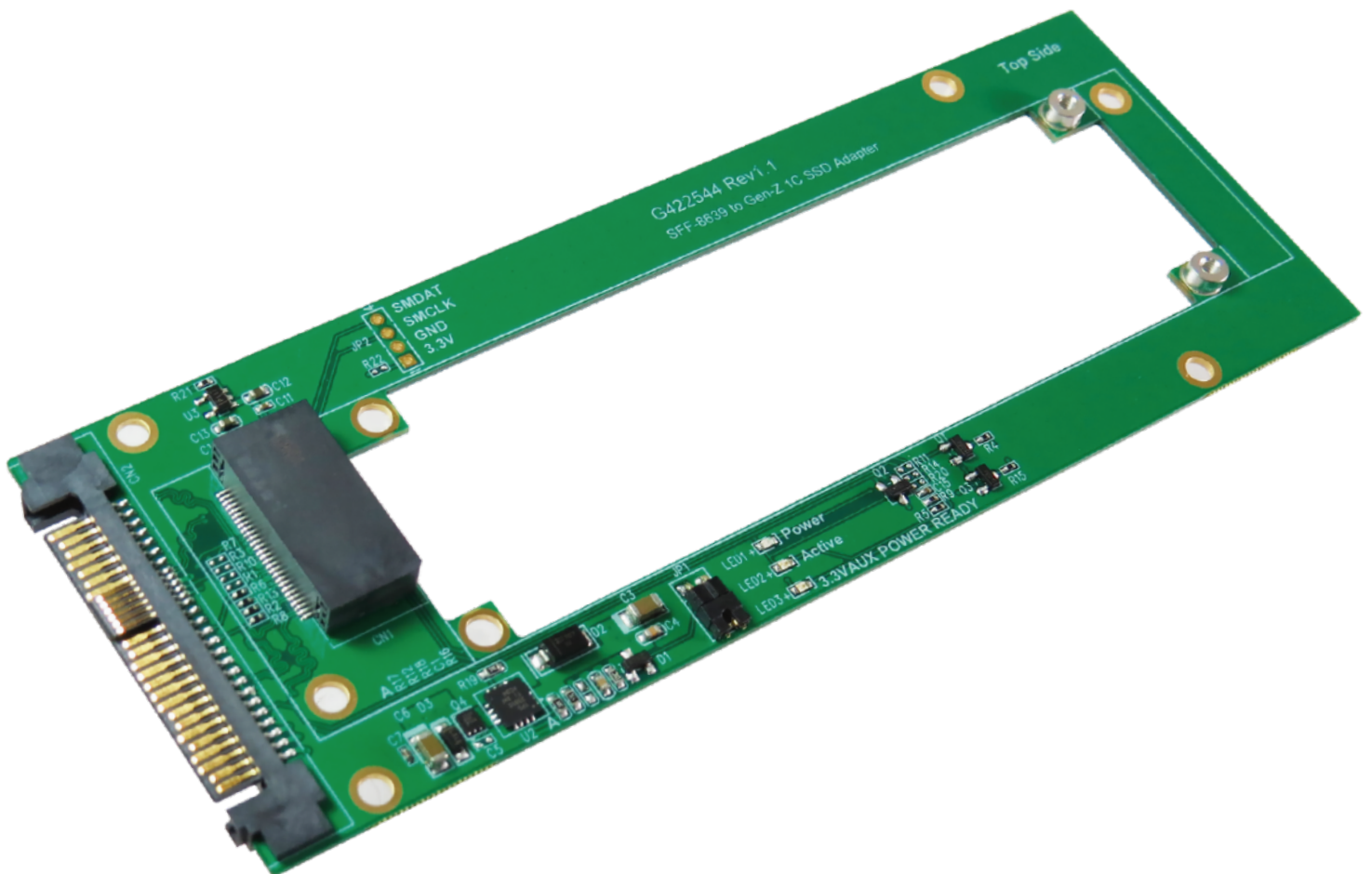


Innocard

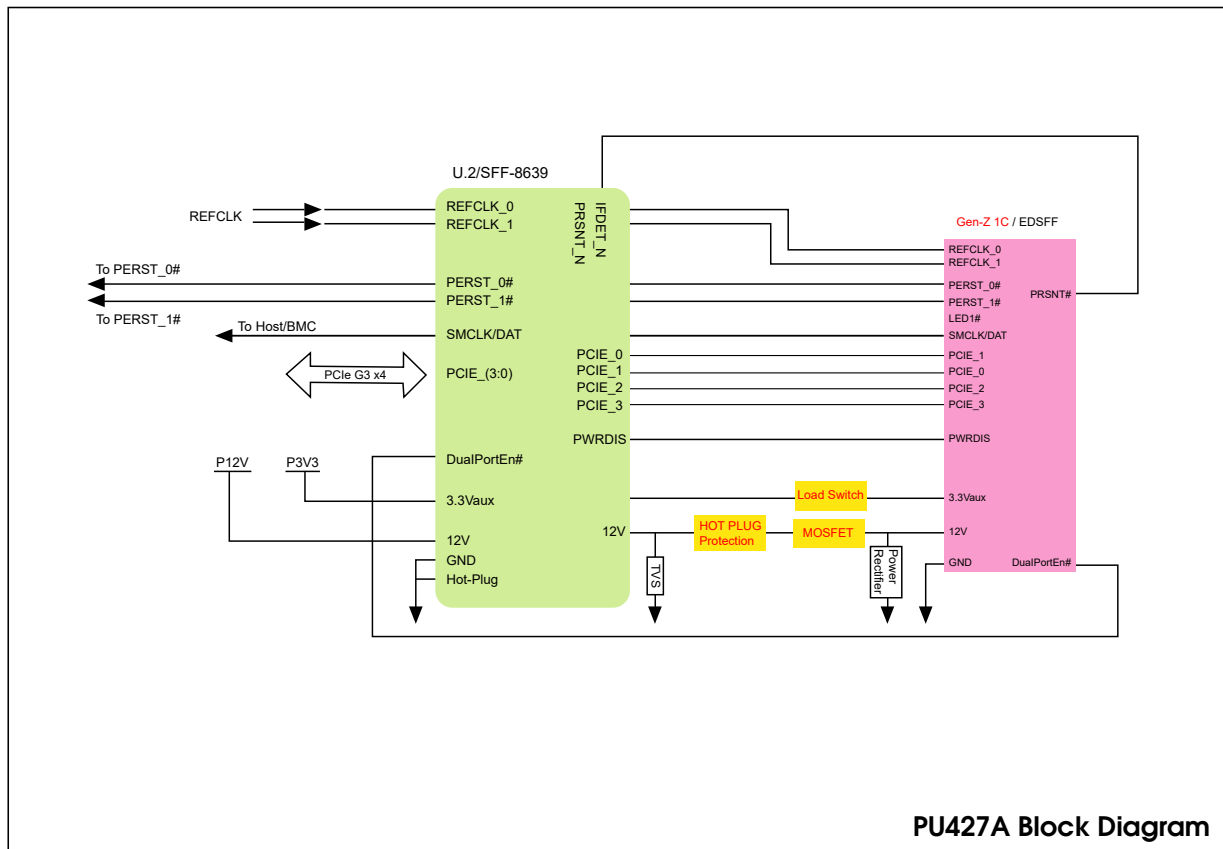
Minerva

PU427A

U.2 (SFF-8639) to EDSFF Gen-Z 1C adapter



U.2 (SFF-8639) to EDSFF Gen-Z 1C adapter



Features

- ※ Built-in 12V Hot Plug Power IC with eFuse protection circuit
- ※ Built-in U.2(SFF-8639) Male connector
- ※ Built-in Gen-Z(EDSFF) 1C Connector
- ※ Supports SMB_CLK/ SMB_DATA
- ※ Supports PWRDIS
- ※ Supports DualPortEn
- ※ LED1 RED LED Blinking indicates Gen-Z SSD active status
- ※ LED2 GREEN indicates 12V Power Ready
- ※ LED3 GREEN indicates 3.3Vaux Power Ready
- ※ JP1 pin header must be to setup on, when Host does not supply 3.3Vaux

Specifications

- ※ Compliant with NVM Express 1.2
- ※ Support PCI Express Base Specification Rev 3.0
- ※ Support SSD_Form_Factor_Version1_a
- ※ Compliant with SFF-8639 Specification Rev 2.0
- ※ Compliant with SFF-TA-1001 Rev1.1
- ※ Compliant with SFF-TA-1002 Specification Multi Lane High Speed Connector Rev1.1
- ※ Compliant with SFF-TA-1006 Enterprise and Datacenter 1U Short SSD Form Factor Rev 1.1
- ※ Compliant with Gen-Z Scalable Connector Rev1.1